



## LCT8100

SDR Local Control Terminal



- For MSN8100 Series Radios and Related Systems
- Direct Control of One or More of Any of the Thales HF or V/UHF SDR Products
- Multi-function Control—All Selectable Modes and Radio Characteristics of Each Multi-channel in Both Receive and Transmit
- Diagnostics—Monitors All SDR Ancillary Equipment at Product and System Level
- Software Portability—LCT Application Runs on Third Party Hardware

**LCT8100—Integrated and Automated Control and Management Services Networked for Maximum Operator Flexibility.**



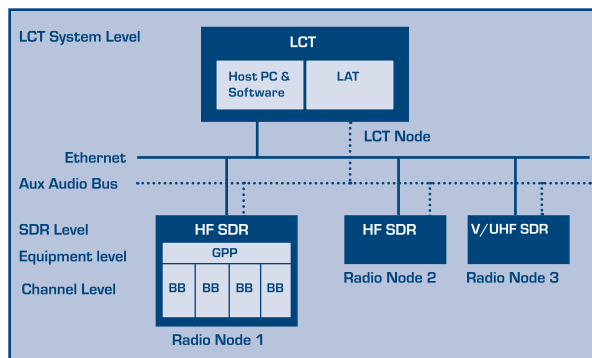
# LCT8100

## SDR Local Control Terminal

Thales' Local Control Terminal LCT8100, together with the Local Audio Terminal LAT8100, allows users to access, control and manage an advanced Software Defined Radio (SDR) system.

### SDR CONTROL

To complement the advanced features of the SDR, its internal Management Information Base (MIB) can be accessed both from an external Communication Management System and from the sophisticated SDR Local Control Terminal LCT8100.



### FEATURES

The LCT8100 utilizes an intuitive Graphical User Interface (GUI) to present system information in a clear and easy-to-read manner. Related features are indicated by the use of color graphics. Control and diagnostic information are presented in identical graphical styles.

The LCT application can, in general, be readily hosted on a customer's preferred PC platform running a Microsoft® operating environment.

The Local Audio Terminal LAT8100 is a unit associated with the LCT8100 which provides operator voice access to an SDR radio system via the switched audio bus. Several LCTs can be connected to the network depending on the system topology.

The LCT8100 is offered hosted on an industry standard robust PC platform. Optional facilities include rack mounting on telescopic runners for installation in a standard 19" cabinet. Combined with the Local Audio Terminal LAT8100, this arrangement, when retracted, occupies just 3U of cabinet height.

LCT810X controllable parameters include:

- Frequency
- Modulation
- Radio silence
- Waveform
- Channel
- Gain
- Data rate

Reports include:

- BIT status
- Power
- VSWR
- Filters
- SNR
- Scan
- Quality of service

### HARDWARE REQUIREMENTS

#### MINIMUM SPECIFICATION

<b>CPU</b>	450 MHz
<b>RAM</b>	256 MB
<b>Hard Drive</b>	2 GB
<b>Monitor</b>	1024 x 768 XGA, minimum 15" Touchscreen (optional)

**Input device** Keyboard/Trackball/Mouse/ Touchscreen

**Operating System** Microsoft® Windows® 2000

### PHYSICAL

**Size (H x W x D)**

- **LCT8101** 3.50 x 19.0 x 23.6 inches (89 (2U) x 483 x 600 (max) mm)
- **LAT8101** 1.75 x 19.0 x 23.6 inches (44.5 (1U) x 483 x 600 (max) mm)

**Weight**

- **LCT8101** 50.7 lbs (23 kg)
- **LAT8101** 3.3 lbs (1.5 kg)

### ENVIRONMENTAL

**Temperature range:** 0°C to +49°C

### INTERFACES

**LCT:** Ethernet 10/100 Base-T supporting SNMP & FTP

**LAT:** Standard audio, 600 ohms, 300-3400 Mz

- Non-U.S. Government sales are subject to U.S. Government approval.
- Specifications are subject to change without notice.

**Thales Communications, Inc.**

22605 Gateway Center Drive, Clarksburg, MD 20871  
 Toll-Free: 1.800.258.4420 | Phone: 240.864.7000 | Fax: 240.864.7920  
 E-mail: naval.maritime@thalescomminc.com  
 Website: www.thalescomminc.com

